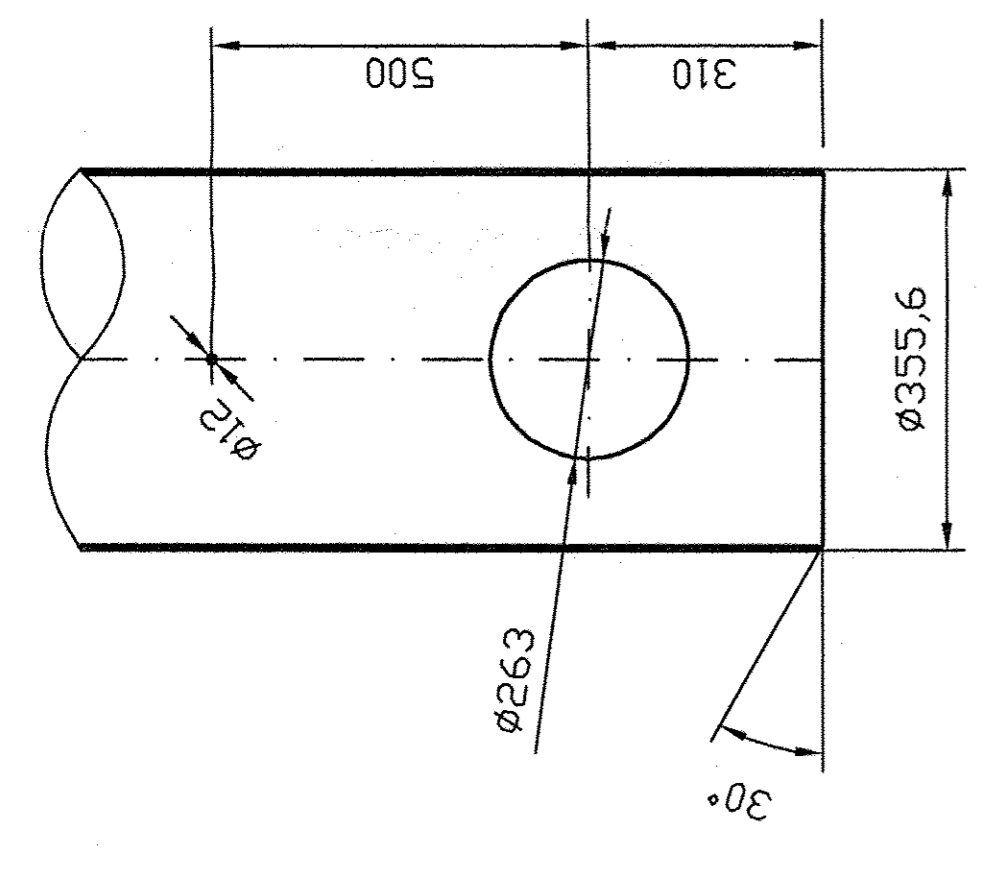
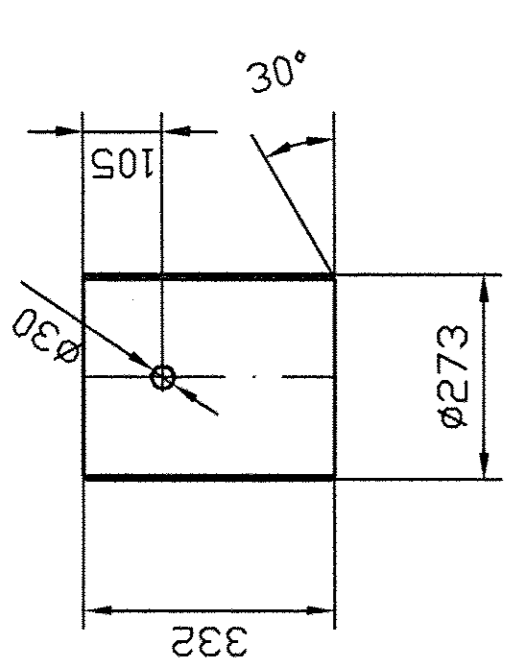


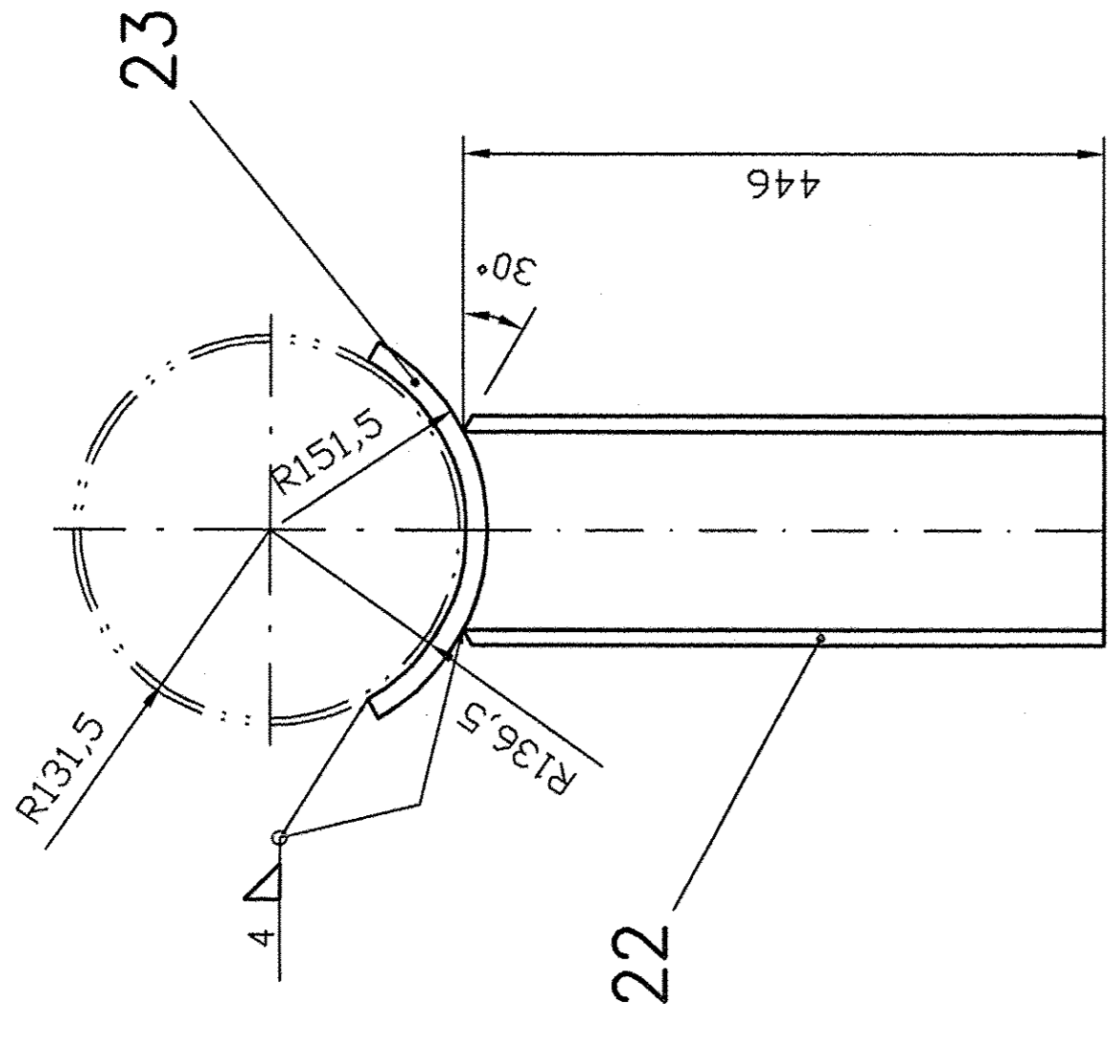
Pos.1
without scale



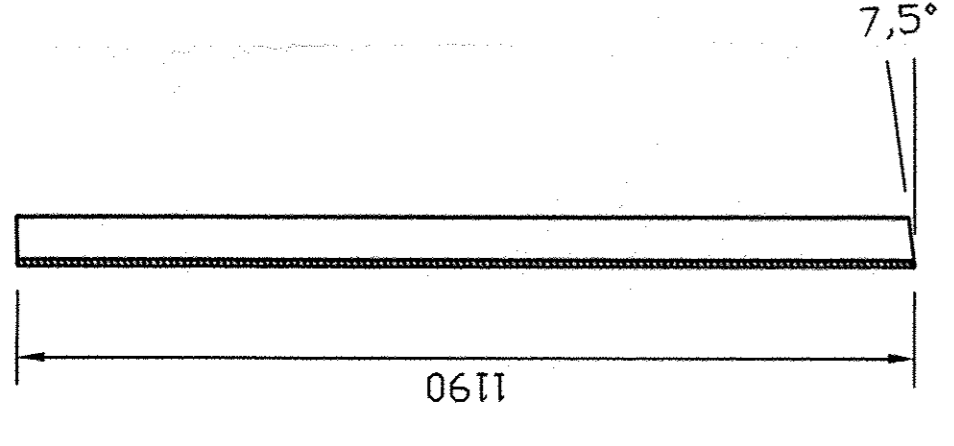
Pos.4
1 : 10



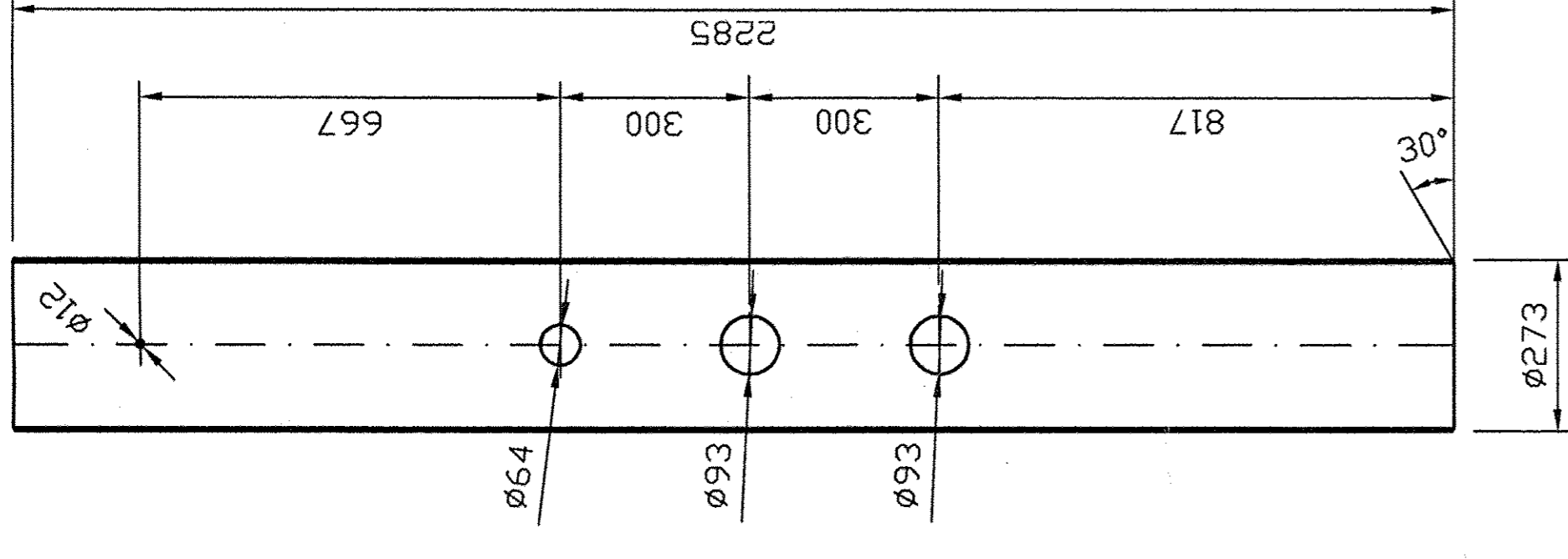
Pos.22 u. 23
1 : 5



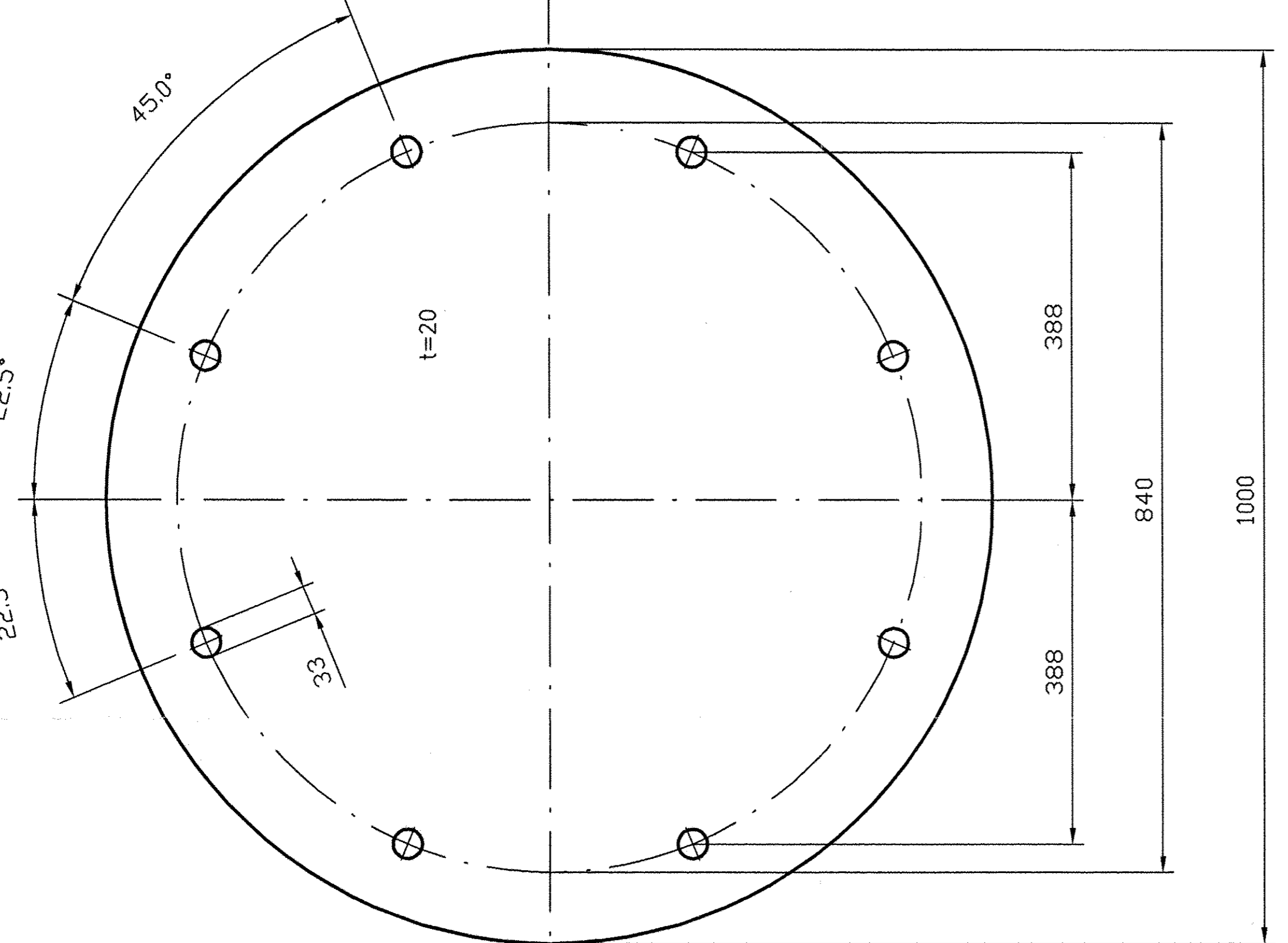
Pos.21
1 : 10



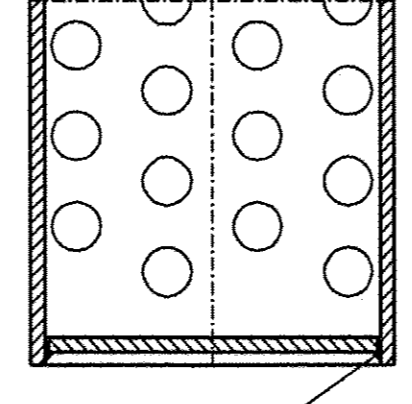
Pos.3
1 : 10



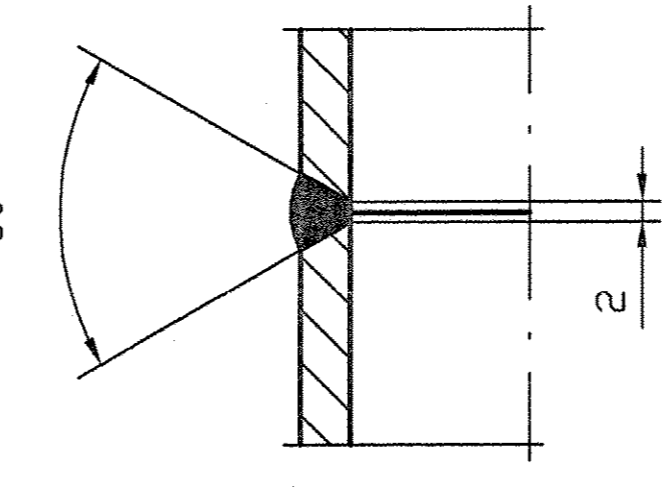
Pos.19
1 : 5



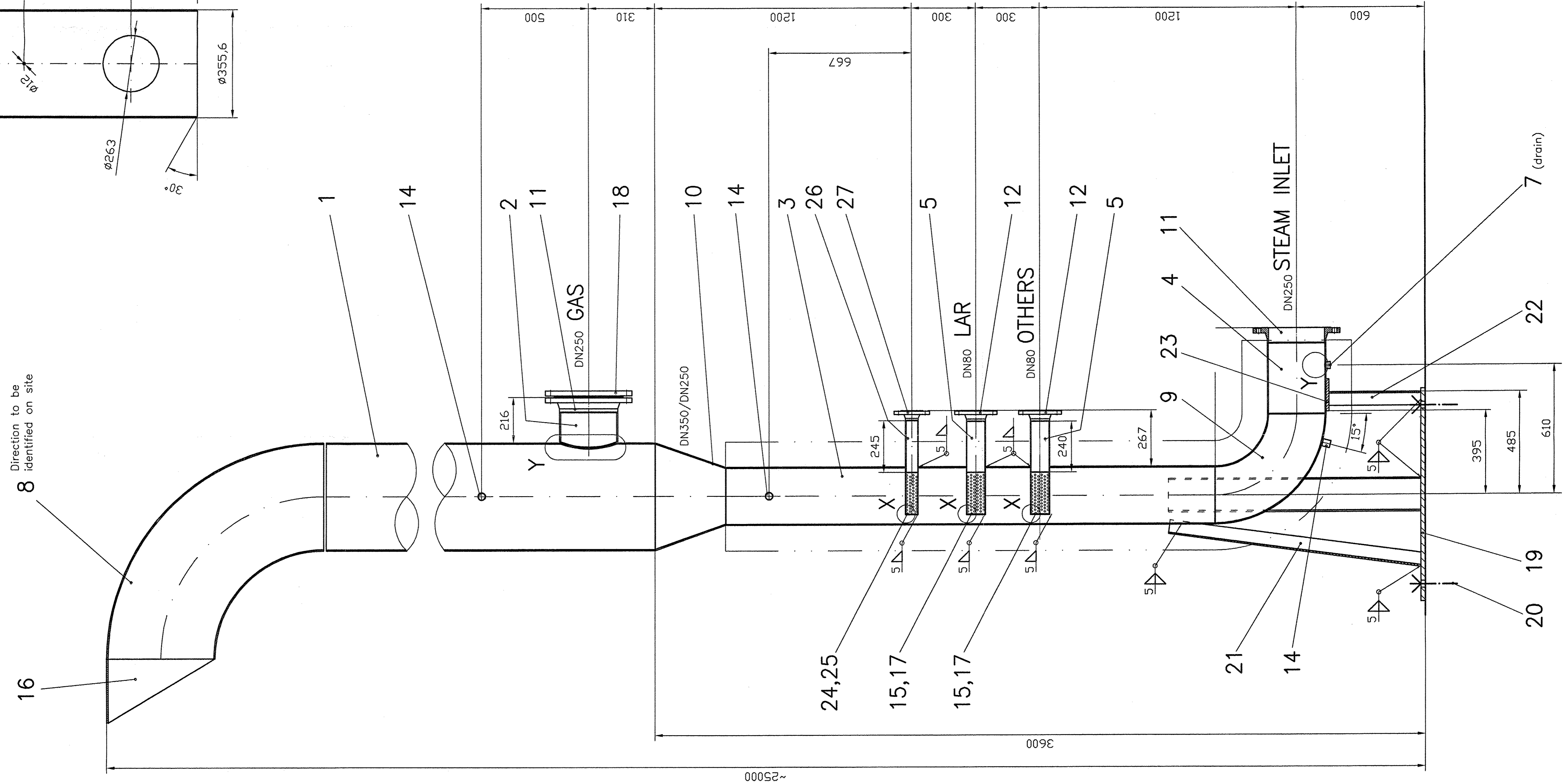
Detail X
without scale



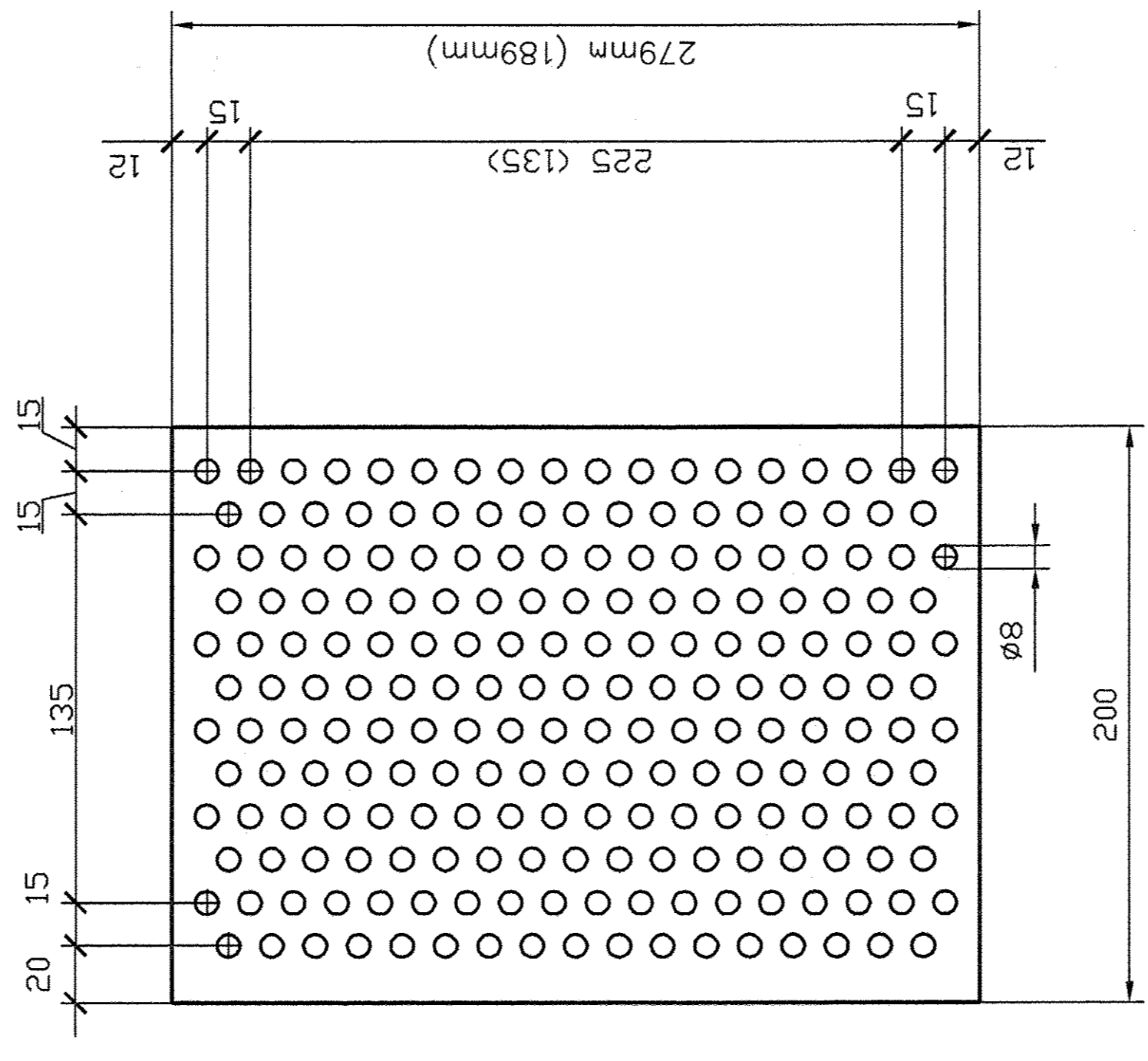
All welds unless otherwise mentioned
without scale



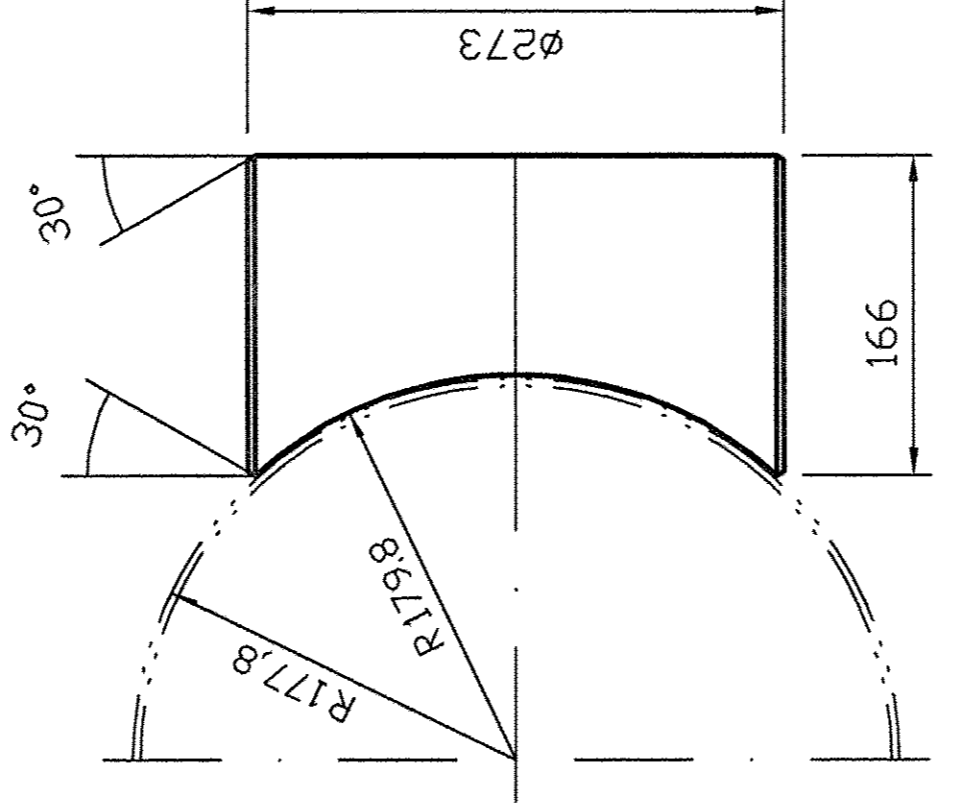
Section B - B
without scale



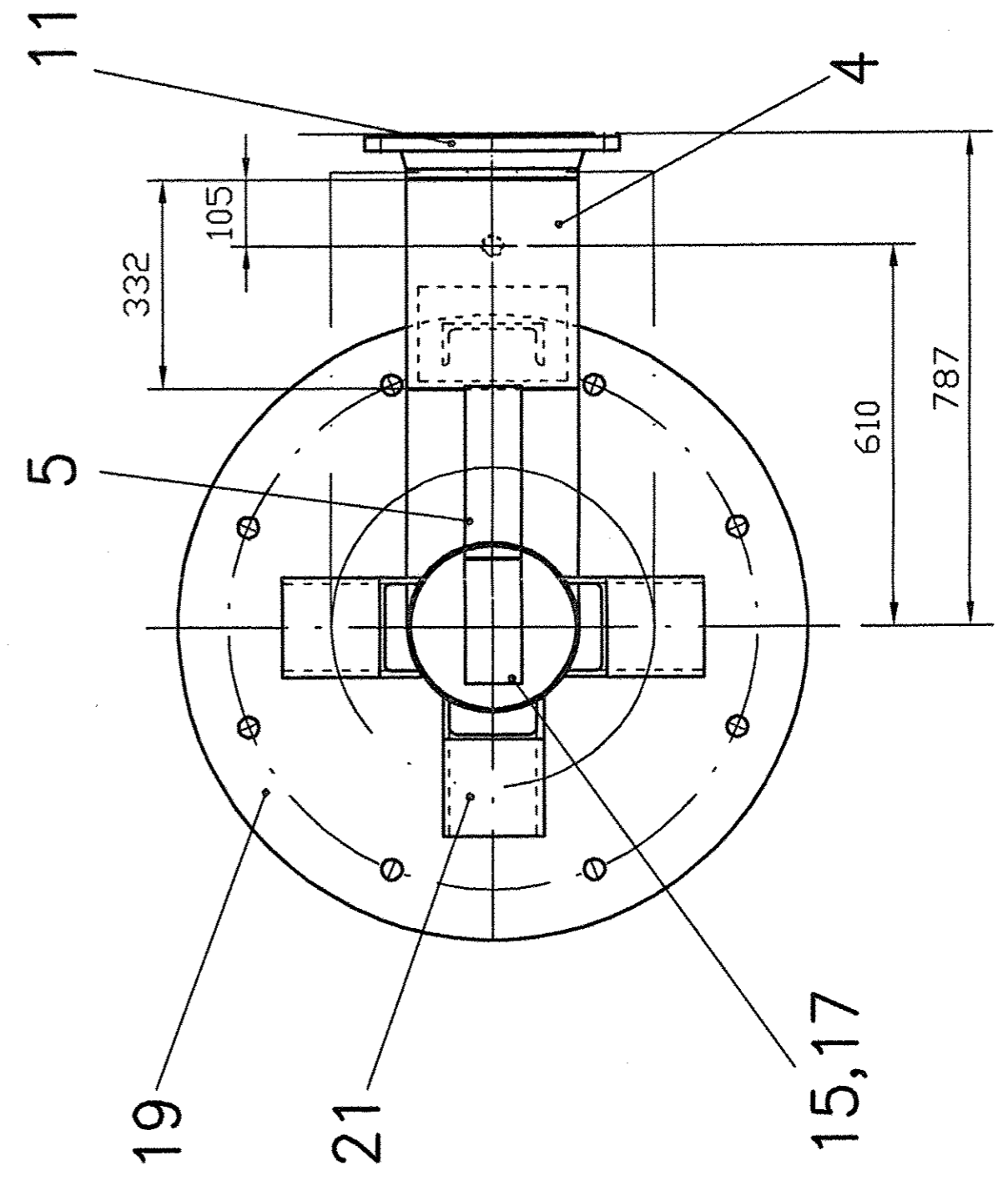
Pos.15,(24)
1 : 2



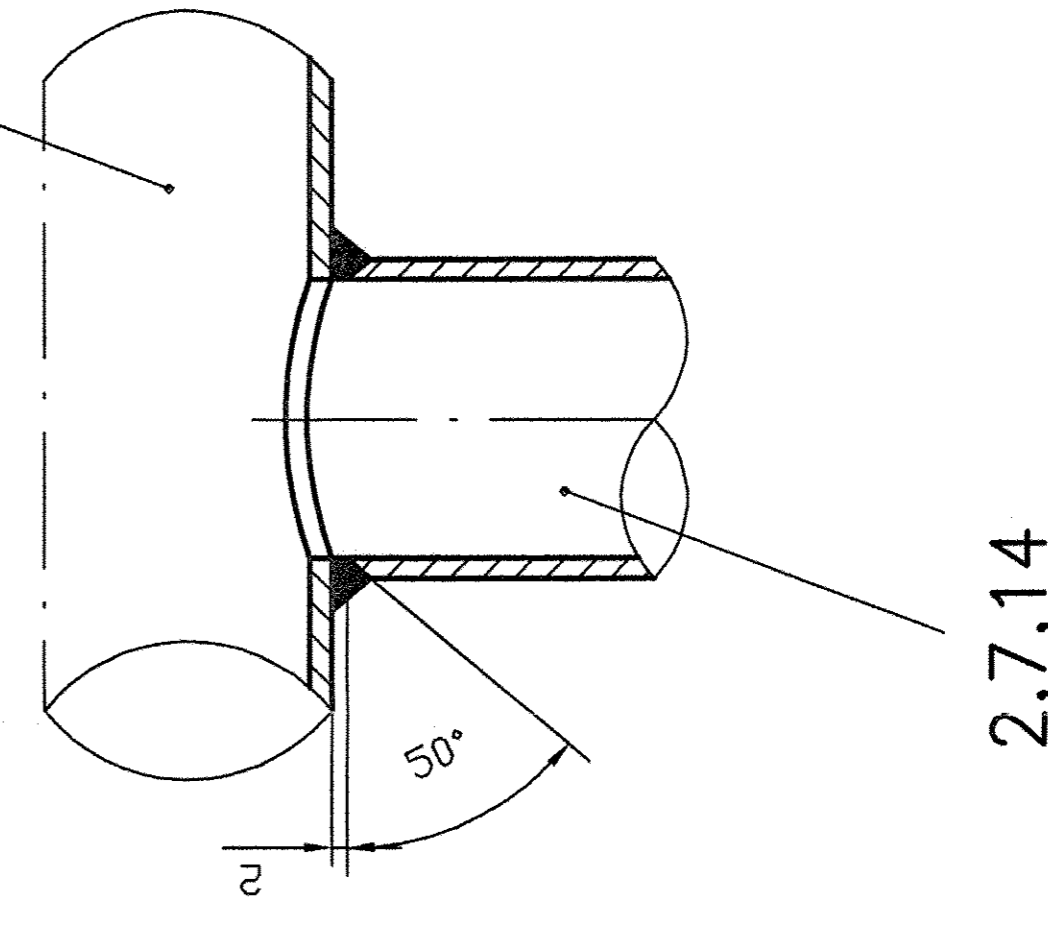
Pos.2
without scale



Section C - C
1 : 10



Detail Y
without scale



27	FLANGE, DN50/PN16	1	ZB16C1
26	PIPE, SCHEDULE 40S	245mm	ZB16C1
25	SHEET METAL, S	1.5mm	STAINLESS STEEL
24	BRONZE PAK, S	200mm x 180mm	STAINLESS STEEL
23	SHEET METAL, S	1.5mm	STAINLESS STEEL
22	U STEEL, 100	100x117	STAINLESS STEEL
21	HAMMER SCREW, M5/5/8	8	STAINLESS STEEL
20	SHEET METAL, S	1.5mm	STAINLESS STEEL
19	BRONZE PAK, S	200mm x 180mm	STAINLESS STEEL
18	SHEET METAL, S	1.5mm	STAINLESS STEEL
17	SHEET METAL, S	1.5mm	STAINLESS STEEL
16	U STEEL, 100	100x117	STAINLESS STEEL
15	FLANGE, DN250/PN16	2	ZB16C1
14	FLANGE, DN250/PN16	2	ZB16C1
13	FLANGE, DN250/PN16	2	ZB16C1
12	FLANGE, DN250/PN16	2	ZB16C1
11	FLANGE, DN250/PN16	2	ZB16C1
10	REDUCER, CONCENTRIC	1	ZB16C1
9	PIPE, DN250	1	ZB16C1
8	ELLS, 90°, TYPE 3	1	ZB16C1
7	BRONZE PAK, S	1	ZB16C1
6	PIPE, DN250	1	ZB16C1
5	PIPE, DN250	1	ZB16C1
4	PIPE, DN250	1	ZB16C1
3	PIPE, DN250	1	ZB16C1
2	PIPE, DN250	1	ZB16C1
1	PIPE, DN250	1	ZB16C1

Weight: approx. 1700 kg

DUMP VAPORIZER
792.87833